



SPARE PARTS EXPLODED VIEW GAS BURNERS

Model

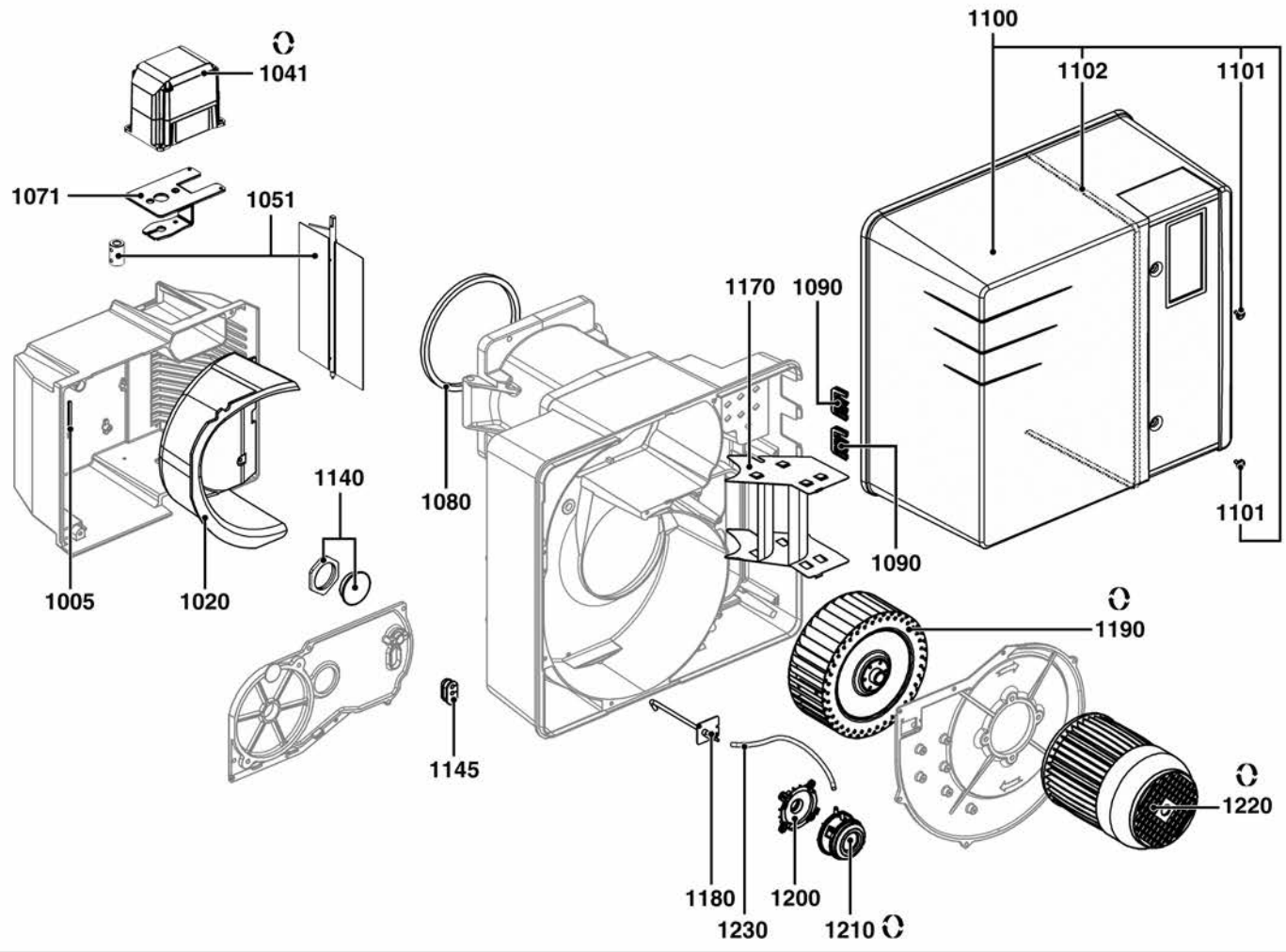
CB-VG6DP R /TC (50/60Hz)

R8220157-02 - 20/07/2016

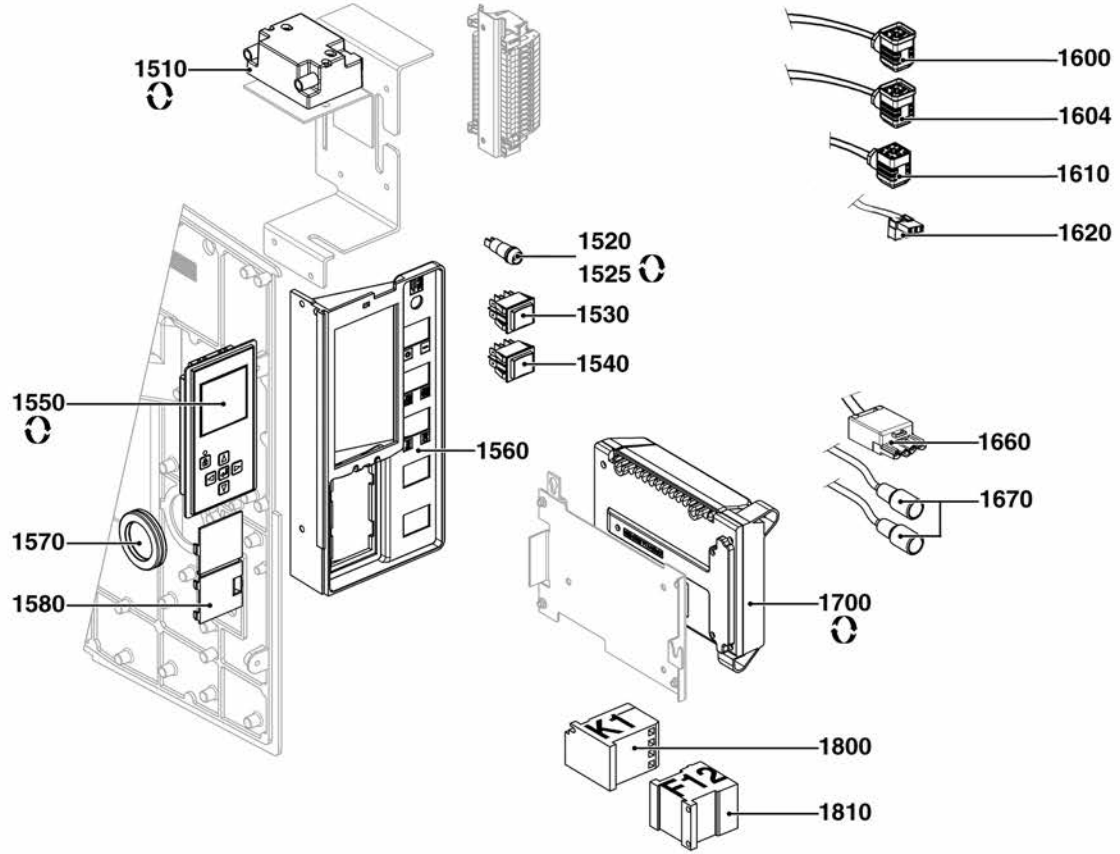
1	3834744	BB-VG6.1600 DP R / TC	07-2015	-
2	3834746	BB-VG6.1600 DP R / TC 60HZ	10-2015	-
3	3834745	BB-VG6.2100 DP R / TC	09-2015	-
4	3834747	BB-VG6.2100 DP R / TC 60HZ	10-2015	-
5	3835829	CH-G0732 - T1/KN	01-2016	-
6	3835830	CH-G0732 - T2/KL	01-2016	-
7	3835831	CH-G0732 - T3/KM	01-2016	-
8	3835832	CH-G0733 - T1/KN	01-2016	-
9	3835833	CH-G0733 - T2/KL	01-2016	-
10	3835834	CH-G0733 - T3/KM	01-2016	-
11	3833486	GT - d334 - 1"1/4-Rp2" /TC	09-2011	-
12	3833487	GT - d335 - 1"1/2-Rp2" /TC	09-2011	-
13	3833490	GT -s317 - 2"-Rp2" /TC	09-2011	-
14	3833489	GT -s316 - 65-DN65 /TC	10-2011	-
15	3833488	GT -s315 - 80-DN80 /TC	11-2011	-

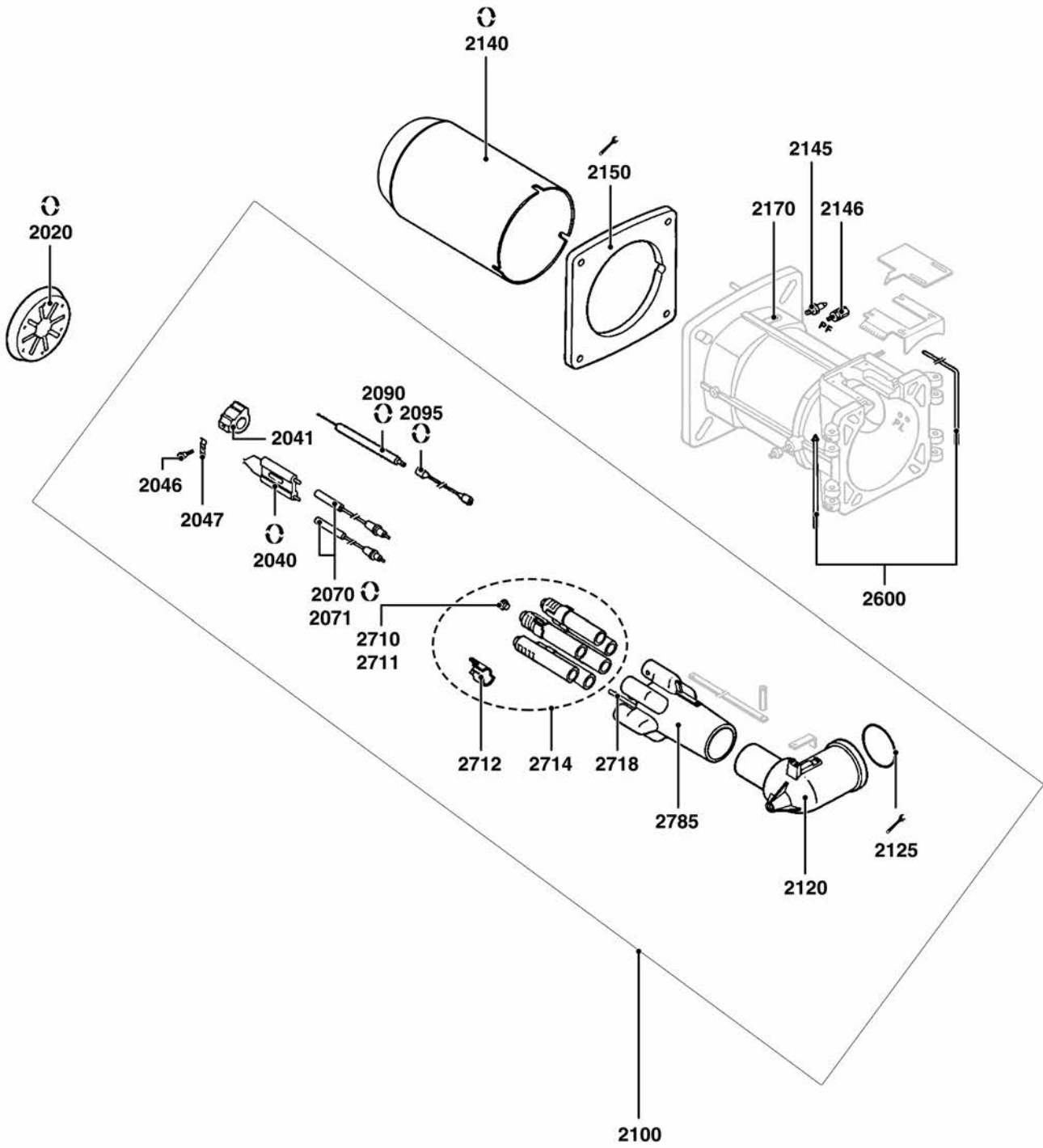
Col	Reference	Model type	Begin	End
-----	-----------	------------	-------	-----

1000



1500

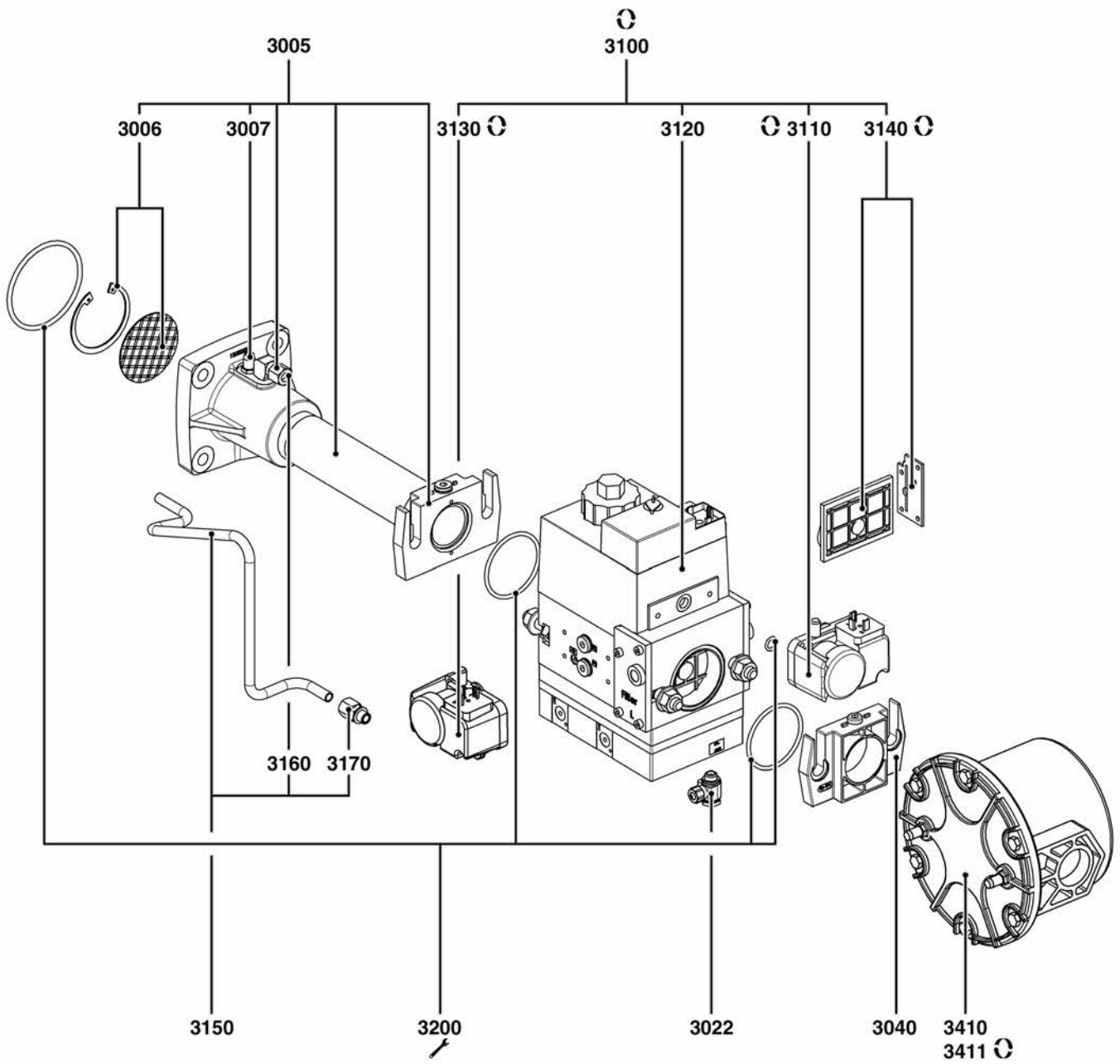




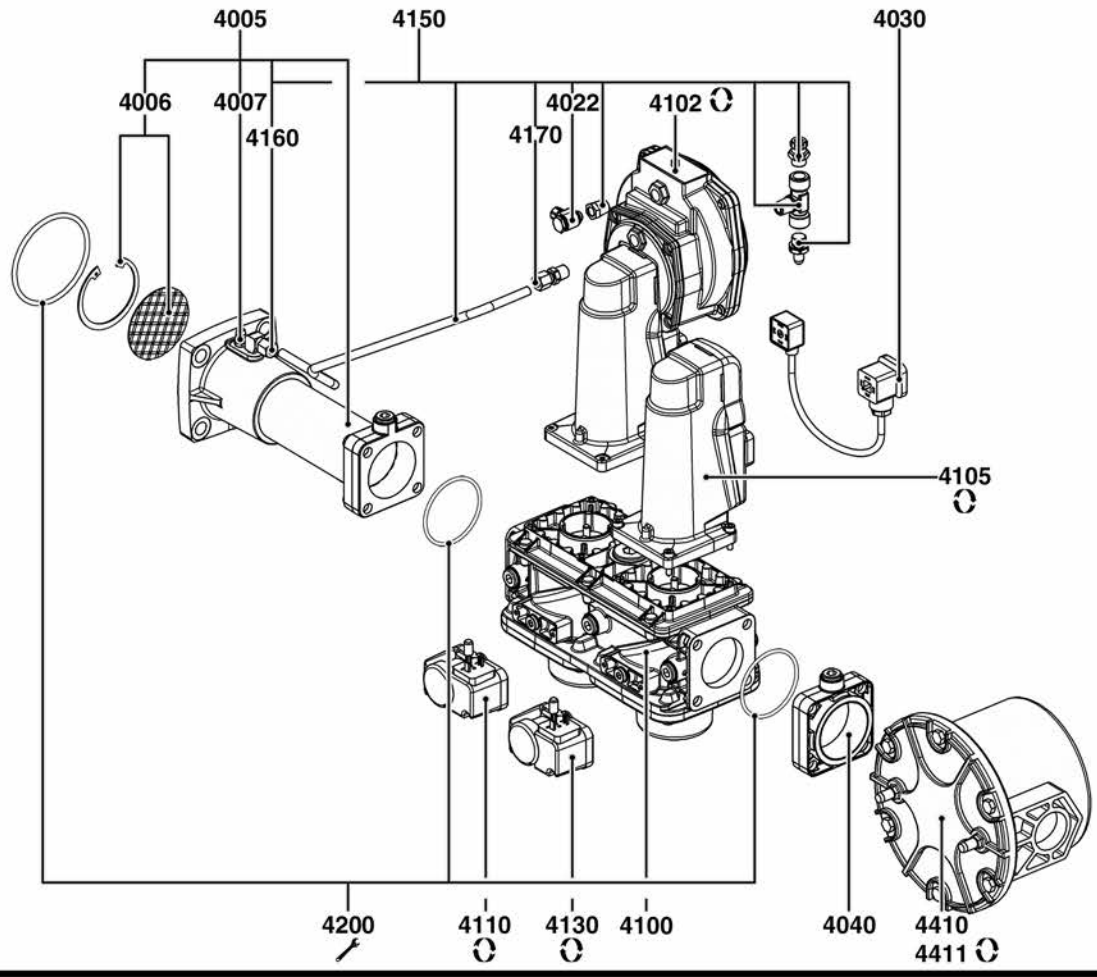
☉⇒	Description	Manf. Pt. N	Type	<div style="display: flex; justify-content: space-between; font-size: 8px; text-align: center;"> BB-VG6-160-DP-R-TC BB-VG6-160-DP-R-TC-60HZ BB-VG6-210-DP-R-TC BB-VG6-210-DP-R-TC-60HZ CH-G0732-11/KN CH-G0732-12/KL CH-G0733-13/KM CH-G0733-11/KN CH-G0733-12/KL GT-0684-1-1/4-Rp2-TC GT-0685-1-1/2-Rp2-TC GT-8317-2-Rp2-TC GT-8316-85-DIN65-TC GT-8315-80-DIN60-TC </div>																		From	to
				1	2	3	4	5	6	7	8	9	10	11	12	13	14	15	16	17	18		
2000	COMBUSTION HEAD																						
2020	BAFFLE PLATE D145/50X13,5 8SL. 6DRIL	65326673								●	●	●											
	BAFFLE PLATE D168/50 8SL 7DRIL.	13009711						●	●	●													
2040	ELECTROD.BLOC.27X55 d6,4 D2X23 45°+SCREW	13009726						●	●	●	●	●	●										
2041	ELECTRODE SUPPORT	13010050						●	●	●	●	●	●										
2046	WASHER HEAD SCREW M4/ELECTRODES BLOCK	13010049						●	●	●	●	●	●										
2047	FLANGE 20X11X2,6 FIX. ELECTRODE	13009725						●	●	●	●	●	●										
2070	IGNITION CABLES L950	13009727						●	●	●	●	●	●										
2071	ROUND CONNECTOR CABLE ALU.ION X2	13010056						●	●	●	●	●	●										
2090	IONISATION PROBE D8X120 d6,4 D4X36	13009626						●	●	●	●	●	●										
2095	IONISATION CABLE SIL.F.MC4-D6,35X950	13009728						●	●	●	●	●	●										
2100	GAS LINE ASS. VG6R/NC160/210G KL/T2	13010052							●			●											
	GAS LINE ASS. VG6R/NC160/210G KM/T3	13010053								●			●										
	GAS LINE ASS. VG6R/NC160/210G KN/T1	13010051						●			●												
2120	GAS ELBOW + TUBE T1/KN	13009732						●			●												
	GAS ELBOW + TUBE T2/KL	13009733							●			●											
	GAS ELBOW + TUBE T3/KM	13009734								●			●										
2125	O-RING D.75X4	13009731						●	●	●	●	●	●										
2140	FLAME TUBE D227/145/205 L343	65326670										●											
	FLAME TUBE D227/145/205 L443	65326672											●										
	FLAME TUBE D227/145/205 L543	65326671											●										
	FLAME TUBE D227/172/190 L343	13009760						●															
	FLAME TUBE D227/172/190 L443	13009762							●														
	FLAME TUBE D227/172/190 L543	13009761							●														
2145	PRESSURE TAP R1/8	13009722						●	●	●	●	●	●										
2146	STRAIGHT UNION	13009721						●	●	●	●	●	●										
2150	GASKET/BOILER FRONT 326X335X3	13009719						●	●	●	●	●	●										
2170	BURNER TUBE SCREW FIX. KIT (X3)	13009723						●	●	●	●	●	●										
2600	HINGE KIT	13009724						●	●	●	●	●	●										
2710	NATURAL GAS ACCESS. KIT	13010048	G20-G25					●	●	●	●	●	●										
2711	PROPANE ACCESS. KIT	13007041	G31					●	●	●	●	●	●										
2712	SHUTTER/NOZZLE	13010046						●	●	●	●	●	●										
2714	SET OF GAS NOZZLES	13010047						●	●	●	●	●	●										
2718	IGNITION NOZZLE	13014075						●	●	●	●	●	●										
2785	STAR GAS HEAD	13009730						●	●	●	●	●	●										

CB-VG6DP R /TC (50/60Hz)

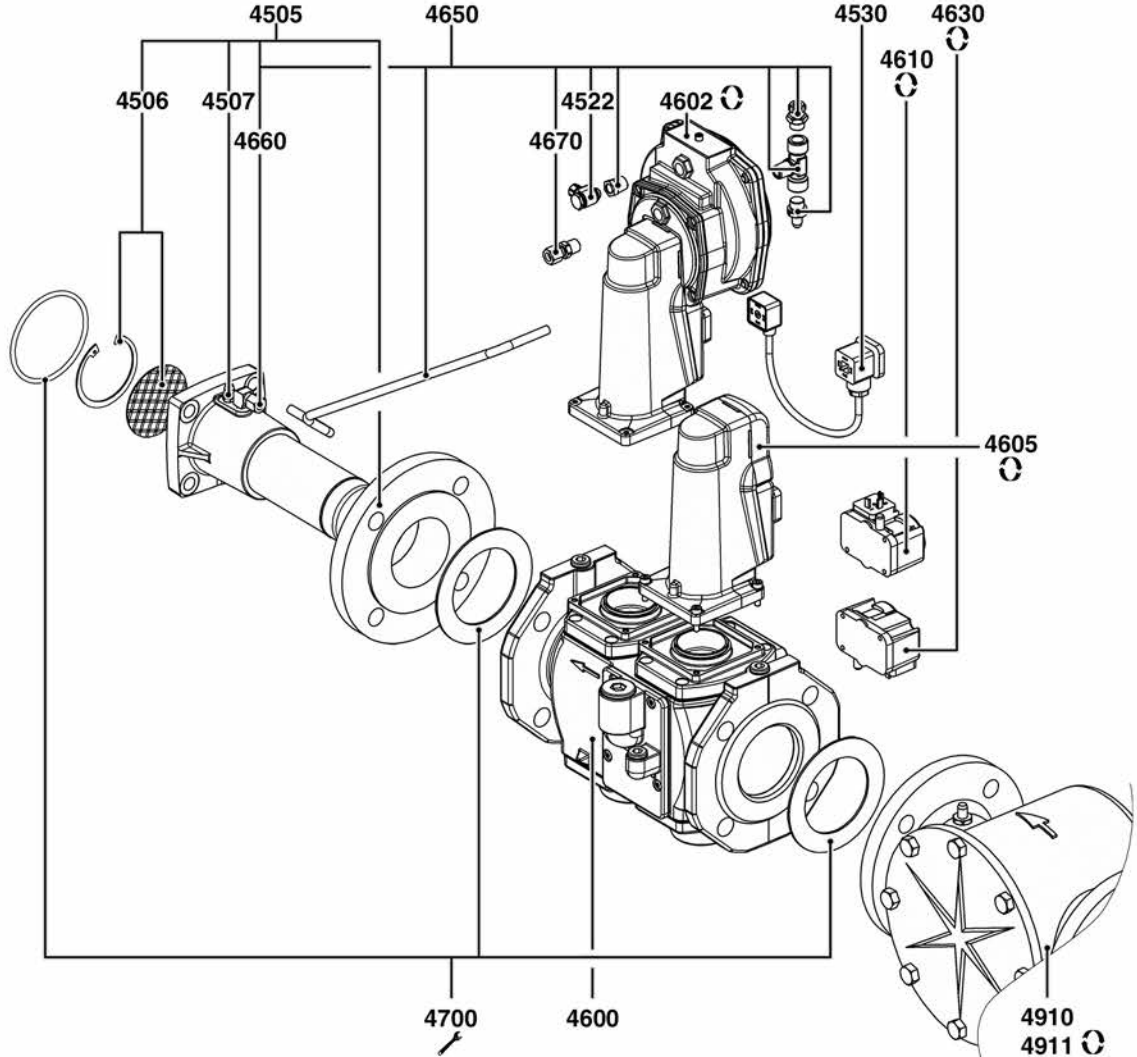
Gas burners



4000



4500



		DE	FR	IT	
		NL	ES		
1005	13009640	DICHTBAND LUFTK.BG DICHTING LUCHTKAST	JOINT BOITE A AIR JUNTA CAJA DE AIRE	GUARNIZIONE SCATOLA DELL'ARIA	1
1020	13009641	ISOLIERUNG-LUFTKASTEN ISOLATIE LUCHTKAST	ISOLATION BOITE A AIR AISLAMIENTO CAJA DE AIRE	ISOLAMENTO SCATOLA DELL'ARIA	1
1041	65326804	STELLANTRIEB STE 4,5 Q3.51/6 L 3NM REGELMOTOR STE 4,5 Q3.51/6 L 3NM	SERVOMOTEUR STE 4,5 Q3.51/6 L 3NM SERVOMOTOR STE 4,5 Q3.51/6 L 3NM	SERVOMOTORE STE 4,5 Q3.51/6 L 3NM	1
1051	65326227	KOMPL. LUFTKLAPPE COMPLETE LUCHTKLEP	VOLET D'AIR EQUIPE VÁLVULA DE AIRE EQUIPADA	SERRANDA DELL'ARIA EQUIPAGGIATA	1
1071	65326226	STELLANTRIEBHALTER STEUN REGELMOTOR	SUPPORT SERVOMOTEUR SOPORTE SERVOMOTOR	SUPPORTO SERVOMOTORE	1
1080	13010055	DICHTUNG GEHAEUSE DICHTING CARTER	JOINT CARTER JUNTA CÁRTER	GUARNIZIONE CARTER	1
1090	13016845	KABELDURCHFÜHRUNG / GEHÄUSE DRAADDOORVOER/BRANDERHUIS	PASSE FIL/CARTER PASACABLES/CÁRTER	PASSAFILO/ CARTER	1
1100	65301016	BRENNERHAUBE VECTRON5 U. V6 KPL. COMPLETE KAP VECTRON5 EN V6	CAPOT VECTRON5 ET V6+VIS CUBIERTA VECTRON5 Y V6 EQUIPADA	COFANO V5 E V6 EQUIPAGGIATO	1
1101	65300519	FLACHKOPF-SCHRAUBE M5X15+SPITZE PLATKOPFSCHROEF M5X15	VIS A TETE PLATE M5X15 TORNILLO DE CABEZA PLANA M5X15	VITE A TESTA PIANA M5X15	1
1102	13009772	DICHTBAND/HAUBE DICHTINGSSTRIP / BRANDERKAP	BANDE D'ETANCHEITE / CAPOT BANDA ESTANQUEIDAD / CUBIERTA	NASTRO SIGILLANTE/ COPERTURA	1
1140	13010008	SCHAUGLAS KPL. KIJKGLAS VG6M /KL451/EK06/EK6/7/8/9	VERRE DE REGARD VISOR	VISORE DI CALDAIA	1
1145	13009648	TUELLE-KABELDURCHFUEHRUNG-VERPACKT DRAADGELEIDER	PASSE FIL PASACABLES	PASSA FILO	1
1170	65326666	LUFTLEITSCHAUFEL 148/162 2SCH. LUCHTRECYCLAGE 148/162 2BL.	REDRESSEUR D'AIR 148/162 2AIL. RECTIFICADOR DE AIRE 148/162 2AL.	RADDRIZZATORE D'ARIA 148/162 2PAL.	1
1180	13009738	DIFFERENTIALDRUCKNIPPEL DRUKAANSLUITING	PRISE DE PRESSION TOMA DE PRESIÓN	PRESA DI PRESSIONE	1
1190	13009649	VENTILATORRAD D240X82 d19 VENTILATORRAD D240X82 d19	TURBINE D240X82 d19 TURBINA D240X82 d19	VENTOLA D240X82 d19	1
	13009736	VENTILATORRAD D240X114 D24 VENTILATOR D240X114 d24	TURBINE D240X114 d24 TURBINA D240X114 d24	TURBINA D240X114 d24	1
	13009737	VENTILATORRAD D250X114 D24 VENTILATOR D250X114 d24	TURBINE D250X114 d24 TURBINA D250X114 d24	TURBINA D250X114 d24	1
1200	13020723	HALTER D32 LUFTDRUCKWAECHTER HUBA STEUN MANOSTAAT HUBA D32	SUPPORT MANOSTAT AIR D32 SOPORTE DEL MANOSTATO DE AIRE D32	SUPPORTO PRESSOSTATO DELL'ARIA D32	1
1210	65300991	LUFTDRUCKWAECHTER HUBA 604 1-10MBAR LUCHTDRUKBEWAKER HUBA 604 1-10MBAR	MANOSTAT HUBA 604 1-10MBAR PRESSOSTATO AIRE HUBA 604 1-10MBAR	MANOSTATO HUBA 604 1-10MBAR	1
1220	13009654	MOTOR 1,5KW 230/400V D19+STECKER MOTOR 1,5KW 230/400V D19 + STEKKER	MOTEUR 1,5KW 230/400V D19+PRISE MOTOR 1,5KW 230/400V D19+TOMA	MOTORE 1,5KW 230/400V D19+PRESA	1
	13009739	MOTOR 2,2KW230/400V D24+STECKER MOTOR 2,2KW230/400V D24+STEKKER	MOTEUR 2,2KW230/400V D24+PRISE MOTOR 2,2KW230/400V D24+TOMA	MOTORE 2,2KW230/400V D24+PRESA	1
	13009740	MOTOR 2,5KW230/400V D24+STECKER MOTOR 2,5KW230/400V D24+STEKKER	MOTEUR 2,5KW230/400V D24+PRISE MOTOR 2,5KW230/400V D24+TOMA	MOTORE 2,5KW230/400V D24+PRESA	1
1230	13014337	PVC-SCHLAUCH D4/6 BUIJS D4/6	TUYAU D4/6 TUBO D4/6	TUBO D4/6	1
1510	13009663	ZUENDTRAF0 EBI 2X7,5 230V ONTSTEKINGSTRAFO EBI 2X7,5 230V	ALLUMEUR EBI 2X7,5 230V ENCENDEDOR EBI 2X7,5 230V	TRASFORMATORE ACCENSIONE EBI 2X7,5 230V	1
1520	13016457	SICHERUNGSHALTER+ SICHERUNG 6,3A ZEKERINGHOUDER+ZEKERING 6,3A	PORTE FUSIBLE+FUSIBLE 6.3A PORTA FUSIBLE+FUSIBLE 6.3A	PORTAFUSIBILE + FUSIBILE 6.3A	1
1525	13016028	SICHERUNG 6,3A TRAEGE D5X20 ZEKERING 5X20 6.3A	FUSIBLE 5X20 6.3A (CALIBRE) FUSIBLE 5X20 6.3A	FUSIBILE 5X20 6.3A	1
1530	13010007	SCHALTER EIN-AUS/VERPACKT SCHAKELAAR ON/OFF	INTERRUPTEUR MARCHE/ARRET INTERRUPTOR	INTERRUTTORE ON/OFF	1
1540	13014009	BETRIEBSSCHALTER SCHAKELAAR - BEDRIFJ	INTERRUPTEUR - FONCTIONNEMENT INTERRUPTOR	INTERRUTTORE - FUNZIONAMENTO	1
1550	65301109	ANZEIGE FUR AUTOMAT. TCG-TCH REL.2.2 DISPLAY V. BRANDERAUTOM.TCG-TCH REL.2.2	AFFICHEUR POUR COFFRET TCG-TCH REL. 2.2 PANTALLA P. PROGRAMAD. TCG-TCH REL.2.2	DISPLAY PER APPARECCHIA.TCG-TCH REL.2.2	1
1560	65300992	BEDIENFELD KUNSTSTOFF PLASTIC BEDIENINGSPANEEL	PUPIRE DE COMMANDE PLASTIQUE PUPIRE DE MANDO PLÁSTICO	QUADRO DI COMANDO PLASTICO	1
1570	65300993	KABELTUELLE DRAADDOORVOER D54/D47/D36	PASSE FIL D54/D47/D36 PASACABLE D54/D47/D36	PASSA FILO D54/D47/D36	1
1580	13009661	ABDECKUNG/SCHNITTSTELLE AFSLUITER / BEDIENINGSPANEEL	OBTURATEUR / PUPITRE OBTURADOR / TABLERO	OTTURATORE / QUADRO	1
1600	65301019	KABEL+STECKER F.GASDRUCKW.MIN. KABEL + STEKKER GASDRUKBEWAKER	CABLE + CONNECT. / MANOSTAT GAZ CABLE + TOMA / PRESSOSTATO GAS	CAVO + CONNETT. / MANOSTATO GAS	1
1604	65301034	DRUCKWAECHTERKABEL KABEL + STEKKER / GASDRUKBEWAKER	CABLE EQUIPE MANOSTAT GAZ CABLE + TOMA/MANOSTATO DE GAS	CAVO + PRESA / MANOSTATO GAS	1
1610	65301020	KABEL+STECKER F.GASVENTIL AGP KABEL + STEKKER GASKLEP	CABLE + CONNECT. / VANNE GAZ CABLE+ TOMA/VALVULA GAS	CAVO + CONNETT. / VALVOLA GAS	1

		DE	FR	IT	X
		NL	ES		
1620	65300997	KABEL+STECKER / ZUENDTRAFO KABEL + STEKKER / ONTSTEKER	CABLE ALLUMEUR CABLE+TOMA/ENCENDEADOR	CAVO TRASFORMATORE ACCENS.	1
1660	65301000	KABEL L560+STECKER 4P/MOTOR KABEL L560+STEKKER 4P/MOTOR	CABLE L560+PRISE 4P/MOTEUR CABLE L560+TOMA 4P/MOTOR	CAVO LUNGH. 560MM + PRESA 4 POLI/MOTORE	1
1670	13009743	ZUENDKABEL GEBLAESETEIL SET 2 ST. ONTSTEKINGSKABEL	CABLE ALLUMAGE CABLE ENCENDIDO	CAVO ACCENSIONE	1
1700	65300881	FEUERUNGSAUTOMAT TCG 511.01TC BRANDERAUTOMAAT TCG 511.01TC	COFFRET TCG 511.01TC PROGRAMADOR TCG 511.01TC	APPARECCHIATURA TCG 511.01TC	1
1800	13009778	SCHUETZ LC1 K09 10M7 SCHNEIDER SCHAKELAAR	CONTACTEUR CONTACTOR	CONTATTORE	1
1810	13009746	MOTORSCHUETZRELAIS LR2-K0314 5.5-8.0A THERMISCH RELAIS LR2K 5,5-8,0A	RELAIS THERMIQUE LR2K 5.5-8.0A RELÉ TÉRMICO LR2K 5.5-8.0A	RELÈ TERMICO LR2K 5.5-8.0A	1
2020	13009711	STAUSCHEIBE D168/50 8SL 7DRIL. STUWPLAAT D168/50 8SL 7DRIL.	DEFLECTEUR D168/50 8SL 7DRIL. DEFLECTOR D168/50 8SL 7DRIL.	DIFFUSORE D168/50 8SL 7DRIL.	1
	65326673	STAUSCHEIBE D145/50X13,5 8SL. 6DRIL STUWPLAAT D145/50X13,5 8SL. 6DRIL	DEFLECTEUR D145/50X13,5 8SL. 6DRIL DEFLECTOR D145/50X13,5 8SL. 6DRIL	DIFFUSORE D145/50X13,5 8SL. 6DRIL	1
2040	13009726	ZUENDELEKTROD.27X55 d6,4D2X23 45° +SCHR. ELEKTRODENBLOK 27X55 d6,4D2X23 45°+SCHR.	BLOC-ELECTRODES 27X55 d6,4D2X23 45° +VIS BLOQ.ELECTRO.27X55 d6,4D2X23 45°+TORNIL.	BLOC.ELETTRODI 27X55 d6,4D2X23 45° +VITE	1
2041	13010050	HALTER ZUENDELEKTRODE/IONISATIONSSTAB ELEKTRODEHOUDER	SUPPORT/SONDE IONISATION SOPORTE ELECTRODO	SUPPORTO ELETTRODO	1
2046	13010049	SCHRAUBE M4-SPEZIAL KRAAGSCHROEF M4/ELEKTRODEBLOK	VIS EPAULEE M4/BLOC-ELECTRODES TORN.ALLEN M4/BLOQUE-ELECTRODOS	VITE CON SPALLAMENTO M4/BLOCCO ELETTRODI	1
2047	13009725	FLANSCH 20X11X2,6 FIX. ZUENDELEKTRODE FLENS 20X11X2,6 FIX. ONTSTEKINGSPEN	BRIDE 20X11X2,6 FIX. ELECTRODE BRIDA 20X11X2,6 FIX. ELECTRODO	FLANGIA 20X11X2,6 FIX. ELETTRODO	1
2070	13009727	ZUENDKABEL L 950 ONTSTEKINGSKABELS L950	CABLES ALLUMAGE L950 CABLES ENCENDIDO L950	CAVI ACCENSIONE L950	1
2071	13010056	RUNDER STECKER ZÜNDKABEL ION X2 RONDE STEKKER KABEL ALU.ION X2	FICHE RONDE D6.4 CLAVIJA REDONDA CABLE ALU.ION X2	SPINA ROTONDA CAVO ACCENS.ION X2	1
2090	13009626	IONISATIONSSONDE D8X120 d6,4 D4X36 IONISATIEPEN D8X120 d6,4 D4X36	SONDE IONISATION D8X120 d6,4 D4X36 SONDA IONIZACION D8X120 d6,4 D4X36	SONDA RIVELAZIONE D8X120 d6,4 D4X36	1
2095	13009728	IONISATIONSKABEL L 950 IONISATIEKABEL SIL.F.MC4-D6,35X950	CABLE IONISATION SIL.F.MC4-D6,35X950 CABLE IONIZACION SIL.F.MC4-D6,35X950	CAVO RIVELAZIONE SIL.F.MC4-D6,35X950	1
2100	13010051	STERNGASKOPF KPL. VG6R/NC160/210G KNT1 GASLIJN CPL. VG6R/NC160/210G KN/T1	LIGNE GAZ EQ. VG6R/NC160/210G KN/T1 LINEA DE GAS EQ. VG6R/NC160/210G KNT1	LINEA GAS CPL. VG6R/NC160/210G KN/T1	1
	13010052	STERNGASKOPF KPL. VG6R/NC160/210G KL/T2 GASLIJN CPL. VG6R/NC160/210G KL/T2	LIGNE GAZ EQ. VG6R/NC160/210G KL/T2 LINEA DE GAS EQ. VG6R/NC160/210G KL/T2	LINEA GAS CPL. VG6R/NC160/210G KL/T2	1
	13010053	STERNGASKOPF KPL. VG6R/NC160/210G KM/T3 GASLIJN CPL. VG6R/NC160/210G KM/T3	LIGNE GAZ EQ. VG6R/NC160/210G KM/T3 LINEA DE GAS EQ. VG6R/NC160/210G KM/T3	LINEA GAS CPL. VG6R/NC160/210G KM/T3	1
2120	13009732	GASBOGEN + ROHR T1/KN ELLEBOOG GAS + PIJP T1/KN	COUDE GAZ + TUBE T1/KN CODO GAS+TUBO T1/KN	GOMITO GAS + TUBO T1/KN	1
	13009733	GASBOGEN + ROHR T2/KL ELLEBOOG GAS + PIJP T2/KL	COUDE GAZ + TUBE T2/KL CODO GAS+TUBO T2/KL	GOMITO GAS + TUBO T2/KL	1
	13009734	GASBOGEN + ROHR T3/KM ELLEBOOG GAS + PIJP T3/KM	COUDE GAZ + TUBE T3/KM CODO GAS T3/KM	GOMITO GAS + TUBO T3/KM	1
2125	13009731	O-RING D.75X4 O-RING D.75X4	O'RING D.75X4 JUNTA TÓRICA D.75X4	O'RING D.75X4	1
2140	13009760	BRENNERROHR D227/172/190 L343 BRANDERBUIJS D227/172/190 L343	TUBE DE FLAMME D227/172/190 L343 TUBO DE LLAMA D227/172/190 L343	BOCCAGLIO D227/172/190 L343	1
	13009761	BRENNERROHR D227/172/190 L543 BRANDERBUIJS D227/172/190 L543	TUBE DE FLAMME D227/172/190 L543 TUBO DE LLAMA D227/172/190 L543	BOCCAGLIO D227/172/190 L543	1
	13009762	BRENNERROHR D227/172/190 L443 BRANDERBUIJS D227/172/190 L443	TUBE DE FLAMME D227/172/190 L443 TUBO DE LLAMA D227/172/190 L443	BOCCAGLIO D227/172/190 L443	1
	65326670	BRENNERROHR D227/145/205 L343 VLAMBUIJS D227/145/205 L343	TUBE DE FLAMME D227/145/205 L343 TUBO DE LLAMA D227/145/205 L343	TUBO FIAMMA D227/145/205 L343	1
	65326671	BRENNERROHR D227/145/205 L543 VLAMBUIJS D227/145/205 L543	TUBE DE FLAMME D227/145/205 L543 TUBO DE LLAMA D227/145/205 L543	TUBO FIAMMA D227/145/205 L543	1
	65326672	BRENNERROHR D227/145/205 L443 VLAMBUIJS D227/145/205 L443	TUBE DE FLAMME D227/145/205 L443 TUBO DE LLAMA D227/145/205 L443	TUBO FIAMMA D227/145/205 L443	1
2145	13009722	MESSNIPPEL GERADE R1/8Z-VERPACKT DRUKAANSLUITING R1/8	PRISE PRESSION R1/8 TOMA PRESIÓN R1/8	PRESA PRESSIONE R1/8	1
2146	13009721	VERSCHRAUBUNG PF + PL VERBINDING RECHT	RACCORD DROIT EMPALME RECTO	RACCORDO DESTRO	1
2150	13009719	DICHTUNG/KESEL TÜR 326X335X3 DICHTING KLINGERIT 326X335X3	JOINT/FAÇADE CHAUDIERE 326X335X3 JUNTA/FRENTE CALDERA 326X335X3	GUARN./LATO FRONTALE CALDAIA 326X335X3	1
2170	13009723	SCHRAUBEN-SET BRENNERROHR M8X20/VERPACKT KIT BEV.SCHROEF BRANDERBUIJS (X3)	KIT VIS FIX. TUBE BRULEUR (X3) KIT TORN.FIJ. TUBO QUEMADOR (X3)	KIT VITI FISS. TUBO BRUCIATORE (X3)	1
2600	13009724	FUEHR.BOLZEN-SET KIT ASSEN	KIT AXES KIT EJES	KIT ASSI	1
2710	13010048	SCHRAUBENSET E-GAS ACCESSOIREKIT AARDGAS	ACCESS. KIT GAZ NATUREL ACCES. KIT GAS NATURAL	ACCESS. KIT GAS NATURALE	1
2711	13007041	SCHRAUBEN-SET F-GAS ACCESSOIREKIT PROPAAAN	ACCESS. KIT PROPANE ACCES. KIT PROPANO	ACCESS. KIT PROPANO	1

		DE NL	FR ES	IT	X
2712	13010046	SCHIEBEHUELSEN-SET BRENNSTOFFKOPF AFSLUITER/VERDELER	OBTURATEUR/DIFFUSEUR GAZ OBTURADOR/DIFUSOR	OTTURATORE/DIFFUSORE	1
2714	13010047	GASDUESEN BG SET OF GAS NOZZLES	DIFFUSEURS GAZ CPL. DIFUSORES GAS CPL.	INIETTORI GAS CPL.	1
2718	13014075	GASDUESE D6/4 VERDELER ONTSTEKING	DIFFUSEUR ALLUMAGE DIFUSOR ENCENDIDO	DIFFUSORE ACCENSIONE	1
2785	13009730	GASKOPFAUFSATZ STERGASKOP	ETOILE REPART.GAZ ESTRELLA GAS	RIPARTITORE GAS	1
3005	13014122	MONTIERTER KOLLEKTOR RP 1"1/4 COLLECTOR GEMONTEERD RP 1"1/4	COLLECTEUR MONTE RP 1"1/4 COLECTOR MONTADO RP 1"1/4	COLLETTORE MONTATO RP 1"1/4	1
	13014128	GASANSCHLUSS-ROHR R2Z KPL. COLLECTOR GEMONTEERD RP 2	COLLECTEUR MONTE RP 2 COLECTOR MONTADO RP 2	COLLETTORE MONTATO RP 2	1
3006	13011367	SICHERUNGSRING U.STABILISATOR D60 STABILISATOR+ BORGVEREN D.60	STABILISATEUR+ CIRCLIPS D.60 ESTABILIZADOR+ ANILLO DE RETÉN D.60	STABILIZZATORE+ANELLI ELASTICI D.60	1
3007	13009722	MESSNIPPEL GERADE R1/8Z-VERPACKT DRUKAANSLUITING R1/8	PRISE PRESSION R1/8 TOMA PRESIÓN R1/8	PRESA PRESSIONE R1/8	1
3022	13020682	SCHWENKVERSCHRAUBUNG LCK-G1/8-PK4 "BANJO" AANSLUITING LCK-G1/8-PK4	RACCORD BANJO LCK-G1/8-PK4 RACOR TIPO "BANJO" LCK-G1/8-PK4	RACCORDO "BANJO" LCK-G1/8-PK4	1
3040	13007859	FLANSCH MB420 RP2 W.PRES.PLUG FLENS MB420 RP2 W.PRES.PLUG	BRIDE MB420 RP2 W.PRES.PLUG BRIDA MB420 RP2 W.PRES.PLUG	FLANGIA MB420 RP2 W.PRES.PLUG	1
	13010085	FLANSCH MB410/412 RP1 1/4 FLENS MB410/412 RP1 1/4	BRIDE MB410/412 RP1 1/4 BRIDA MB410/412 RP1 1/4	FLANGIA MB410/412 RP1 1/4	1
3100	65301036	GASVENTIL MBVEF412 B01 S32 RP1 1/4 GASKLEP MBVEF412 B01 S32 RP1"1/4	VANNE GAZ MBVEF412 B01 S32 RP1"1/4 VALVULA GAS MBVEF412 B01 S32 RP1"1/4	VALVOLA GAS MBVEF412 B01 S32 RP1"1/4	1
	65301037	GASVENTIL MBVEF420 B01 S32 RP2 GASKLEP MBVEF420 B01 S32 RP2"	VANNE GAZ MBVEF420 B01 S32 RP2" VALVULA GAS MBVEF420 B01 S32 RP2"	VALVOLA GAS MBVEF420 B01 S32 RP2"	1
3110	13010078	GASDRUCKWÄCHTER GW 150 A5 30-150MB DIN GASDRUKREGELAAR GW 150 A5 30-150MB DIN	MANOSTAT GAZ GW 150 A5 30-150MB DIN MANOSTATO GAS GW 150 A5 30-150MB DIN	PRESSOSTATO GAS GW 150 A5 30-150MB DIN	1
3120	65300707	SPULE DUN MBVEF412S12 SPOEL DUN MBVEF412S12	BOBINE DUN MBVEF412S12 BOBINA DUN MBVEF412S12	BOBINA DUN MBVEF412S12	1
	65300708	SPULE DUN MBVEF420S12 SPOEL DUN MBVEF420S12	BOBINE DUN MBVEF420S12 BOBINA DUN MBVEF420S12	BOBINA DUN MBVEF420S12	1
3130	65323019	GASDRUCKWÄCHTER GW 50 A5 2,5-50MB GASDRUKSCHAKELAAR GW 50 A5 2,5-50MB	MANOSTAT GAZ GW 50 A5 2,5-50MB PRESOSTATO GAS GW 50 A5 2,5-50MB	PRESSOSTATO GAS GW 50 A5 2,5-50MB	1
3140	13007901	FILTEREINSATZ/TASCHEF.MB... 420 FILTERELEMENT /MB...420	ELEMENT FILTRANT /MB...420 ELEMENTO FILTRANTE /MB...420	ELEMENTO FILTRANTE /MB...420	1
	13016012	FILTEREINSATZ MB410/412 96x65 DUNGS FILTERELEMENT /MB...410/412	ELEMENT FILTRANT /MB...410/412 ELEMENTO FILTRANTE /MB...410/412	ELEMENTO FILTRANTE /MB...410/412	1
3150	65300649	DRUCKABNAHMEROHR MBVEF412 GASDRUKBUIS MBVEF412+AANSLUITING	TUBE PRESSION GAZ MBVEF412+RACCORD TUBO DE PRESIÓN GAS MBVEF412+EMPALME	TUBO DELLA PRESSIONE GAS MBVEF412	1
	65300669	DRUCKABNAHMEROHR MBVEF420 GASDRUKBUIS MBVEF420+AANSLUITING	TUBE PRESSION GAZ MBVEF420+RACCORD TUBO DE PRESIÓN GAS MBVEF420+EMPALME	TUBO DELLA PRESSIONE GAS MBVEF420	1
3160	13023188	WINKELVERSCHRAUBUNG GEBOGEN AANSLUITING	RACCORD COUDE RACOR ACODADO	RACCORDO A GOMITO	1
3170	13023187	VERSCHRAUBUNG 1/8Z D8 MB 407/412/420 AANSLUITING G1/8 + AFDICHTING	RACCORD G1/8+JOINT RACOR G1/8 + JUNTA	RACCORDO G1/8 + GUARNIZIONE	1
3200	65300576	O-RING-SET MB 412 PAKKINGSET MB...412	KIT JOINTS MB...412 KIT DE JUNTAS MB...412	KIT GUARNIZIONI MB...412	1
	65300671	O-RING-SET MB420 DICHTINGSKIT MB...420	KIT JOINTS MB...420 KIT JUNTAS MB...420	KIT GUARNIZIONI...420	1
3410	13009700	EXTERNER GASFILTER RP2 FILTER GAS EXTERN RP2	FILTRE GAZ EXTERNE RP2 FILTRO GAS EXTERNO RP2	FILTRO GAS ESTERNO RP2	1
3411	13010044	GASFILTER-EINSATZ+O-RING F.ANELLO R2Z FILTERELEMENT RP2+DICHTING	ELEMENT FILT. RP2+JOINT ELEMENTO FILT. RP2+JUNTA	ELEMENTO FILT. RP2+GUARNIZIONE	1
4005	65301024	GASANSCHLUSSROHR-BG R2Z GASAANSLUITBUIS CPL. RP2	COLLECTEUR COMPLET RP2 COLECTOR GAS CPL RP2	COLLETTORE RP2	1
4006	13011367	SICHERUNGSRING U.STABILISATOR D60 STABILISATOR+ BORGVEREN D.60	STABILISATEUR+ CIRCLIPS D.60 ESTABILIZADOR+ ANILLO DE RETÉN D.60	STABILIZZATORE+ANELLI ELASTICI D.60	1
4007	13009722	MESSNIPPEL GERADE R1/8Z-VERPACKT DRUKAANSLUITING R1/8	PRISE PRESSION R1/8 TOMA PRESIÓN R1/8	PRESA PRESSIONE R1/8	1
4022	13020682	SCHWENKVERSCHRAUBUNG LCK-G1/8-PK4 "BANJO" AANSLUITING LCK-G1/8-PK4	RACCORD BANJO LCK-G1/8-PK4 RACOR TIPO "BANJO" LCK-G1/8-PK4	RACCORDO "BANJO" LCK-G1/8-PK4	1
4030	13020958	VERBINDUNGSKABEL SKP15/SKP75 VERBINDUNGSKABEL SKP	CABLE DE LIAISON SKP CABLE DE CONEXIÓN SKP	CAVO DI COLLEGAMENTO SKP	1
4040	65300871	FLANSCH AGA51 RP2 FLENS AGA51 RP2	BRIDE AGA51 RP2 BRIDA AGA51 RP2	FLANGIA AGA51 RP2	1
4100	65311581	GAS-MV VGD 20.5011 R2Z X 265 MM GASKLEP VGD20 5011 RP2"	VANNE GAZ VGD20 5011 RP2" VALVULA GAS VGD20 5011 RP2"	VALVOLA GAS VGD20 5011 RP2"	1
4102	13020950	SERVOMOT. GAS SKP75.003E2 O.ENDSCHALTER SERVOMOTOR SKP 75 003E2, ZONDER EINDSCH.	SERVOMOT. GAZ SKP75.003E2 S.FIN COURSE SERVOMOT. GAS SKP75.003E2 S.TOPE	SERVOMOT. GAS SKP75.003E2 S.FINECORSO	1
4105	13020951	STELLANTRIEB SKP 15.000E2 O.ENDSCHALTER SERVOMOT. GAS SKP15.000E2 Z.EINDSCHAK.	SERVOMOT. GAZ SKP15.000E2 S.FIN COURSE SERVOMOT. GAS SKP15.000E2 S.TOPE	SERVOMOT. GAS SKP15.000E2 S.FINECORSO	1

☰	XXXXXXXX	DE	FR	IT	X
		NL	ES		
4110	13010078	GASDRUCKWÄCHTER GW 150 A5 30-150MB DIN GASDRUKREGELAAR GW 150 A5 30-150MB DIN	MANOSTAT GAZ GW 150 A5 30-150MB DIN MANOSTATO GAS GW 150 A5 30-150MB DIN	PRESSOSTATO GAS GW 150 A5 30-150MB DIN	1
4130	65323019	GASDRUCKWÄCHTER GW 50 A5 2,5-50MB GASDRUKSCHAKELAAR GW 50 A5 2,5-50MB	MANOSTAT GAZ GW 50 A5 2,5-50MB PRESOSTATO GAS GW 50 A5 2,5-50MB	PRESSOSTATO GAS GW 50 A5 2,5-50MB	1
4150	65301075	GASDRUCKROHR VGD20 RP2 NC95/210-VG5/6 GASDRUKBUIS VGD20 RP2 NC95/210-VG5/6	TUBE PRES.GAZ VGD20 RP2 NC95/210-VG5/6 TUBO PR. GAS VGD20 RP2 NC95/210-VG5/6	TUBO PRES.GAS VGD20 RP2 NC95/210-VG5/6	1
4160	13023188	WINKELVERSCHRAUBUNG GEBOGEN AANSLUITING	RACCORD COUDE RACOR ACODADO	RACCORDO A GOMITO	1
4170	13009721	VERSCHRAUBUNG PF + PL VERBINDING RECHT	RACCORD DROIT EMPALME RECTO	RACCORDO DESTRO	1
4200	13011733	O-RING-SET D66,35X2,62 NBR 70.5 DICHTINGSKIT VGG,VGF10/VGD20 RP2	KIT JOINTS VGG,VGF10/VGD20 RP2 KIT JUNTAS VGG,VGF10/VGD20 RP2	KIT GUARNIZIONI VGG,VGF10/VGD20 RP2	1
4410	13009700	EXTERNER GASFILTER RP2 FILTER GAS EXTERN RP2	FILTRE GAZ EXTERNE RP2 FILTRO GAS EXTERNO RP2	FILTRO GAS ESTERNO RP2	1
4411	13010044	GASFILTER-EINSATZ+O-RING F.ANELLO R2Z FILTERELEMENT RP2+DICHTING	ELEMENTO FILT. RP2+JOINT ELEMENTO FILT. RP2+JUNTA	ELEMENTO FILT. RP2+GUARNIZIONE	1
4505	65301022	GASANSCHLUSSROHR-BG DN65 GASAANSLUITBUIS CPL. DN65	COLLECTEUR COMPLET DN65 COLECTOR GAS CPL DN65	COLLETTORE DN65	1
	65301023	GASANSCHLUSSROHR-BG DN80 GASAANSLUITBUIS CPL. DN80	COLLECTEUR COMPLET DN80 COLECTOR GAS CPL DN80	COLLETTORE DN80	1
4506	13011367	SICHERUNGSRING U.STABILISATOR D60 STABILISATOR+ BORGVAREN D.60	STABILISATEUR+ CIRCLIPS D.60 ESTABILIZADOR+ ANILLO DE RETÉN D.60	STABILIZZATORE+ANELLI ELASTICI D.60	1
4507	13009722	MESSNIPPEL GERADE R1/8Z-VERPACKT DRUKAANSLUITING R1/8	PRISE PRESSION R1/8 TOMA PRESIÓN R1/8	PRESA PRESSIONE R1/8	1
4522	13020682	SCHWENKVERSCHRAUBUNG LCK-G1/8-PK4 "BANJO" AANSLUITING LCK-G1/8-PK4	RACCORD BANJO LCK-G1/8-PK4 RACOR TIPO "BANJO" LCK-G1/8-PK4	RACCORDO "BANJO" LCK-G1/8-PK4	1
4530	13020958	VERBINDUNGSKABEL SKP15/SKP75 VERBINDUNGSKABEL SKP	CABLE DE LIAISON SKP CABLE DE CONEXIÓN SKP	CAVO DI COLLEGAMENTO SKP	1
4600	65311583	GAS-MV VGD 40.080 DN80 X 310MM GASKLEP VGD40 080 DN80	VANNE GAZ VGD40 080 DN80 VALVULA GAS VGD40 080 DN80	VALVOLA GAS VGD40 080 DN80	1
	65323661	GAS-MV VGD 40.065 GASKLEP VGD40 065 DN65	VANNE GAZ VGD40 065 DN65 VALVULA GAS VGD40 065 DN65	VALVOLA GAS VGD40 065 DN65	1
4602	13020950	SERVOMOT. GAS SKP75.003E2 O.ENDSCHALTER SERVOMOTOR SKP 75 003E2, ZONDER EINDSCH.	SERVOMOT. GAZ SKP75.003E2 S.FIN COURSE SERVOMOT. GAS SKP75.003E2 S.TOPE	SERVOMOT. GAS SKP75.003E2 S.FINECORSIA	1
4605	13020951	STELLANTRIEB SKP 15.000E2 O.ENDSCHALTER SERVOMOT. GAS SKP15.000E2 Z.EINDSCHAK.	SERVOMOT. GAZ SKP15.000E2 S.FIN COURSE SERVOMOT. GAS SKP15.000E2 S.TOPE	SERVOMOT. GAS SKP15.000E2 S.FINECORSIA	1
4610	13010078	GASDRUCKWÄCHTER GW 150 A5 30-150MB DIN GASDRUKREGELAAR GW 150 A5 30-150MB DIN	MANOSTAT GAZ GW 150 A5 30-150MB DIN MANOSTATO GAS GW 150 A5 30-150MB DIN	PRESSOSTATO GAS GW 150 A5 30-150MB DIN	1
4630	65323019	GASDRUCKWÄCHTER GW 50 A5 2,5-50MB GASDRUKSCHAKELAAR GW 50 A5 2,5-50MB	MANOSTAT GAZ GW 50 A5 2,5-50MB PRESOSTATO GAS GW 50 A5 2,5-50MB	PRESSOSTATO GAS GW 50 A5 2,5-50MB	1
4650	65301025	GASDRUCKROHR VGD40 DN65 NC95/210-VG5/6 GASDRUKBUIS VGD40 DN65 NC95/210-VG5/6	TUBE PR.GAZ EQ.VGD40 DN65 NC95/210-VG5/6 TUBO PR. GAS VGD40 DN65 NC95/210-VG5/6	TUBO PR.GAS CPL.VGD40DN65 NC95/210-VG5/6	1
	65301026	GASDRUCKROHR VGD40 DN80 NC210-VG6 GASDRUKBUIS VGD40 DN80 NC210-VG6	TUBE PRES.GAZ EQ.VGD40 DN80 NC210-VG6 TUBO PR. GAS VGD40 DN80 NC210-VG6	TUBO PR.GAS CPL.VGD40 DN80 NC210-VG6	1
4660	13023188	WINKELVERSCHRAUBUNG GEBOGEN AANSLUITING	RACCORD COUDE RACOR ACODADO	RACCORDO A GOMITO	1
4670	13009721	VERSCHRAUBUNG PF + PL VERBINDING RECHT	RACCORD DROIT EMPALME RECTO	RACCORDO DESTRO	1
4700	13013781	DICHTUNGSSET VGD40 DN66 DICHTINGSKIT VGD40 DN65	KIT JOINTS VGD40 DN65 KIT JUNTAS VGD40 DN65	KIT GUARNIZIONI VGD40 DN65	1
	13013782	O-RING SET VGD DN80 DICHTINGSKIT VGD40 DN80	KIT JOINTS VGD40 DN80 KIT JUNTAS VGD40 DN80	KIT GUARNIZIONI VGD40 DN80	1
4910	13009703	GASFILTER ANELLO DN65/VERPACKT FILTER GAS EXTERN DN65	FILTRE GAZ EXTERNE DN65 FILTRO GAS EXTERNO DN65	FILTRO GAS ESTERNO DN65	1
	13013787	GASFILTER DN80 FILTER GAS DN80	FILTRE GAZ DN80 FILTRO GAS DN80	FILTRO GAS DN80	1
4911	13009704	GASFILTER-EINSATZ+O-RING F.ANELLO DN65 FILTERELEMENT GAS DN65 MET DICHTING	ELEMENTO FILTRANT GAZ DN65 AVEC JOINT ELEMENTO FILTRANTE GAS DN65 CON JUNTA	ELEMENTO FILTRANTE GAS DN65 CON GUARNIZ.	1
	13013788	FILTEREINSATZ+O-RING DN80 FILTERELEMENT GAS DN80 MET DICHTING	ELEMENTO FILTRANT GAZ DN80 AVEC JOINT ELEMENTO FILTRANTE GAS DN80 CON JUNTA	ELEMENTO FILTRANTE GAS DN80 CON GUARNIZ.	1

		RU TR	PT	PL	X
1005	13009640	УПЛОТНЕНИЕ ВОЗДУХОЗАБОРНИКА HAVA KUTUSU CONTASI	JUNTA CAIXA DE AR	USZCZELKA SKRZYNKI POWIETRZA	1
1020	13009641	ИЗОЛЯЦИЯ ВОЗДУХОЗАБОРНИКА HAVA KUTUSU YALITIMI	ISOLAMENTO CAIXA DE ENTRADA DE AR	USZCZELKA SKRZYNKI POWIETRZA	1
1041	65326804	СЕРВОДВИГАТЕЛЬ STE 4,5 Q3.51/6 3NM L SERVOMOTOR STE 4,5 Q3.51/6 L 3NM	SERVOMOTOR STE 4,5 Q3.51/6 L 3NM	SERWOMOTOR STE 4,5 Q3.51/6 L 3NM	1
1051	65326227	ВОЗДУШНАЯ ЗАСЛОНКА В СБОРЕ DONANIMLI HAVA KLAPESI	FLAP DE AR EQUIP.	PRZEPUSTNICA POWIETRZA Z OSPRZĘTEM	1
1071	65326226	ДЕРЖАТЕЛЬ СЕРВОДВИГАТЕЛЬ DESTEĞI SERVOMOTOR	SUPORTE SERVOMOTOR	WSPORNIK SERVOMOTOR	1
1080	13010055	УПЛОТНЕНИЕ КОЖУХА KARTER CONTASI	JUNTA CAIXA	USZCZELKA KARTERA	1
1090	13016845	МУФТА ПРОПУСКА ПРОВОДА/КАРТЕР KABLO KANALI/KARTER	PASSA-CABOS/CAIXA	PRZELOTKA PRZEWODU/OBUDOWA	1
1100	65301016	ЧЕХОЛ VECTRON5+ V6 +ВИНТ КРЕПЛЕНИЯ DONANIMLI MUHAFAZA KAPAĞI VECTRON5 / V6	EXTRATOR VECTRON5 E V6+PARAFUSO FIXAÇÃO	POKRYWA VECTRON5 I V6 Z OSPRZĘTEM	1
1101	65300519	ВИНТ С ПЛОСКОЙ ГОЛОВКОЙ M5X15 DÜZ BAŞLI VIDA M5X15	PARAFUSO CABEÇA PLANA M5X15	ŚRUBA Z ŁBEM NITOWYM PŁASKIM M5X15	1
1102	13009772	УПЛОТНИТЕЛЬНАЯ ЛЕНТА/КОЖУХ YALITIM BANDI / GÖVDE KAPLAMA	BANDA DE VEDAÇÃO EXAUSTOR	TAŚMA USZCZELNIAJĄCA/POKRYWA	1
1140	13010008	СМОТРОВОЕ СТЕКЛО RÖGAR CAMI	VIGIA	SZKŁO PODGLĄDU	1
1145	13009648	ПРОХОДНАЯ ВТУЛКА ДЛЯ ПРОВОДА KABLO GEÇİRİCİ	PASSA-CABOS	PRZELOT KABLI	1
1170	65326666	ВОЗДУШНЫЙ ВЫПРЯМИТЕЛЬ 148/162 2BL. HAVA DÜZELTİCİ 148/162 2BL.	RECICLAGEM DE AR 148/162 2BL.	PROSTOWNIK POWIETRZA 148/162 2ŁOP.	1
1180	13009738	ДАТЧИК ДАВЛЕНИЯ BASINÇ GİRİŞİ	TORNEIRA DE PRESSÃO	GNIAZDO CIŚNIENIOWE	1
1190	13009649	РАБОЧЕЕ КОЛЕСО D240X82 d19 TÜRBİN D240X82 d19	TURBINA D240X82 d19	WIMIK D240X82 d19	1
	13009736	ТУРБИНА D240X114 d24 D240X114 d24 TÜRBİN	TURBINA D240X114 d24	WIMIK D240X114 d24	1
	13009737	ТУРБИНА D250X114 d24 D250X114 d24 TÜRBİN	TURBINA D250X114 d24	WIMIK D250X114 d24	1
1200	13020723	КРОНШТЕЙН ПНЕВМОРЕЛЕ D32 HAVA BASINÇ ŞALTERİ MESNEDİ D32	BASE MANÓSTATO AR D32	WSPORNIK CZUJNIKA CIŚNI. POWIET. D32	1
1210	65300991	РЕЛЕ ДАВЛЕНИЯ ВОЗДУХ HUBA 604 1-10MBAR HAVA BASINÇ ŞALTERİ HUBA 604 1-10MBAR	MANÓSTATO DE AR 604 1-10MBAR	CZUJNIK CIŚNIENIA POWIETR. HUBA 604 1-10	1
1220	13009654	ДВИГАТЕЛЬ 1,5 кВт 230/400 В D19 + РАЗЪЕМ 1,5KW 230/400V D19 MOTOR +PRİZ	MOTOR 1,5KW 230/400V D19+PLUGUE	SILNIK 1,5 KW 230/400 V D19+GNIAZDO	1
	13009739	ДВИГАТЕЛЬ 2,2KW230/400V D24+РАЗЪЕМ MOTOR 2,2KW230/400V D24+PRİZ	MOTOR 2,2KW230/400V D24+PLUGUE	SILNIK 2,2 KW 230/400 V D24 + GNIAZDO	1
	13009740	ДВИГАТЕЛЬ 2,5KW230/400V D24+РАЗЪЕМ MOTOR 2,5KW230/400V D24+PRİZ	MOTOR 2,5KW230/400V D24+PLUGUE	SILNIK 2,5 KW 230/400 V D24 + GNIAZDO	1
1230	13014337	ТРУБКА D4/6 TÜP D4/6	TUBO D4/6	RURKA D4/6	1
1510	13009663	ТРАНСФО РОЗЖИГА EBI 2X7,5 230V ATEŞLEME TRAFÖ. EBI 2X7,5 230V	TRANSFO IGNIÇÃO EBI 2X7,5 230V	TRANSFO ZAPŁONOWY EBI 2X7,5 230V	1
1520	13016457	ДЕРЖАТЕЛЬ ПРЕДОХР-ЛЯ + ПРЕДОХР-ЛЬ 6,3 A ŞİGORTA TAŞIYICI + 6.3A ŞİGORTA	PORTA-FUSÍVEL+FUSÍVEL 6,3A	OPRAWA BEZPIECZNIKOWA +BEZPIECZNIK 6,3 A	1
1525	13016028	ПРЕДОХРАНИТЕЛЬ 5X20 6.3A ŞİGORTA 5X20 6.3A	FUSÍVEL 5X20 6,3A	BEZPIECZNIKA 5X20 6.3A	1
1530	13010007	ПЕРЕКЛЮЧАТЕЛЬ ŞALTER	INTERRUPTOR LIGAR/DESLIGAR	PRZEŁĄCZNIK	1
1540	13014009	ПЕРЕКЛЮЧАТЕЛЬ ŞALTER	INTERRUPTOR - FUNCIONAMENTO	PRZEŁĄCZNIK	1
1550	65301109	ДИСПЛЕЙ БЛОК УПРАВЛЕНИЯ TCG-TCH REL. 2.2 EKRAN İÇİN KUTU TCG-TCH REL. 2.2	VISOR UNIDADE CONTROLE TCG-TCH REL.2.2	WYŚWIETLACZ / MODUŁ TCG-TCH REL.2.2	1
1560	65300992	ПУЛЬТ УПРАВЛЕНИЯ ПЛАСТИКОВЫЙ İŞLETİM MASASI PLASTİK	PLACA DE CONTROLE PLÁSTICA	PLASTIKOWY PULPIT STEROWNICZY	1
1570	65300993	МУФТА ПРОКЛАДКИ ПРОВОДА D54/D47/D36 KABLO KANALI D54/D47/D36	PASSA-CABOS D54/D47/D36	PRZELOTKA PRZEWODU D54/D47/D36	1
1580	13009661	ЗАТВОР/ПУЛЬТ TAPA / KONTROL PANELİ	OBTURADOR INTERFACE	PRZEPUSTNICA / PULPIT	1
1600	65301019	КАБЕЛЬ+РАЗЪЕМ РЕЛЕ ДАВЛЕНИЯ ГАЗА KABLOSU + PRİZ / GAZ BASINÇ ŞALT.	CABO+CONECTOR / PRESSOSTATO GÁS	PRZEWÓD+WTYCZKA CZUJNIKA CIŚNI. GAZU	1
1604	65301034	КАБЕЛЬ РЕЛЕ ДАВЛЕНИЯ ГАЗА KABLOSU + KONEKTÖRÜ/GAZ BASINÇ ŞALT.	CABO+CONECTOR PRESSOSTATO DE GÁS	PRZEWÓD CZUJNIKA CIŚNIENIA GAZU	1
1610	65301020	КАБЕЛЬ+РАЗЪЕМ ГАЗОВОГО КЛАПАНА KABLOSU + PRİZ / GAZ VANASI	CABO+CONECTOR / VÁLVULA DE GÁS	PRZEWÓD+WTYCZKA ZAWORU GAZOW.	1

					
1620	65300997	КАБЕЛЬ / ТРАНСФО РОЗЖИГА KABLOSU / ATEŞLEME TRAFO.	CABO/ACENDEDOR	PRZEWÓD+GNIAZDO/APARAT ZAPŁONOWY	1
1660	65301000	КАБЕЛЬ L560+РАЗЪЕМ 4-ПОЛЮС/ДВИГАТЕЛЬ L560 KABLO +PRİZ 4P/MOTOR	CABO C.560+CONECTOR 4P/MOTOR	KABEL L560+GNIAZDO 4P/SILNIK	1
1670	13009743	КАБЕЛЬ РОЗЖИГА ATEŞLEME KABLOSU	CABO DE IGNIÇÃO	KABEL ZAPALNIKA	1
1700	65300881	БЛОК УПРАВЛЕНИЯ TCG 511.01TC KUTU TCG 511.01TC	PROGRAMADOR TCG 511.01TC	MODUŁ TCG 511.01TC	1
1800	13009778	КОНТАКТОР KONTAKTÖR	CONTATOR	KONTAKTOR	1
1810	13009746	ТЕРМОРЕЛЕ LR2K 5.5-8.0A LR2K 5.5-8.0A TERMİL RÖLE	RELÉ TÉRMICO LR2K 5,5-8,0A	PRZEKAŹNIK TERMICZNY LR2K 5,5-8,0 A	1
2020	13009711	ДЕФЛЕКТОР D168/50 8SL 7DRIL. DEFLEKTOR D168/50 8SL 7DRIL.	DEFLECTOR D168/50 8SL 7DRIL.	DEFLEKTOR D168/50 8SL 7DRIL.	1
	65326673	ДЕФЛЕКТОР D145/50X13,5 8SL. 6DRIL DEFLEKTOR D145/50X13,5 8SL. 6DRIL	DEFLECTOR D145/50X13,5 8SL. 6DRIL	DEFLEKTOR D145/50X13,5 8SL. 6DRIL	1
2040	13009726	БЛОК ЭЛЕКТРОДОВ 27X55 d6,4D2X23 45°+ВИНТ ELEKTROD BLOĞU 27X55 d6,4D2X23 45°+VIDA.	BLOCO ELETROD.27X55 d6,4D2X23 45°+PARAF.	BLOK ELEKTROD 27X55 d6,4D2X23 45° +ŞRUBA	1
2041	13010050	ДЕРЖАТЕЛЬ ЭЛЕКТРОДА ELEKTROT DESTEĐİ	SUPORTE ELÉTRODO	WSPORNIK ELEKTRODY	1
2046	13010049	ВИНТ С БУРТИКОМ М4/БЛОК ЭЛЕКТРОДОВ M4 ÖMUZLU VIDA/ELEKTROT BLOĞU	PARAFUSO M4/BLOCO DE ELÉTODOS	ŞRUBA M4/BLOKADA ELEKTROD	1
2047	13009725	ФЛАНЕЦ 20X11X2,6 FIX. ЭЛЕКТРОД FLANŞI 20X11X2,6 FIX. ELEKTROD	FLANGE 20X11X2,6 FIX. ELETRODO	KOŁNIERZ 20X11X2,6 FIX. ELEKTRODA	1
2070	13009727	ЗАПАЛЬНЫЕ ПРОВОДА L950 L950 ATEŞLEME KABLOLARI	CABOS IGNIÇÃO L950	KABEL ZAPALNIKA L950	1
2071	13010056	КРУГЛЫЙ РАЗЪЕМ ЗАПАЛЬН. ПРОВОД ИОН. X2 İYON ALÜMİNYUM KABLO YUVARLAK FIŞ X2	FICHA REDONDA CABO IGN.ION X2	WTYCZKA OKRĄGŁA KABLA ALU JON X2	1
2090	13009626	ДАТЧИК ИОНИЗАЦИОННОГО D8X120 d6,4 D4X36 İYONIZASYON SONDA D8X120 d6,4 D4X36	SONDA IONIZACION D8X120 d6,4 D4X36	SONDA JONIZACYJNY D8X120 d6,4 D4X36	1
2095	13009728	КАБЕЛЬ ИОНИЗАЦИОН. SIL.F.MC4-D6,35X950 İYONIZASYON KABLOSU SIL.F.MC4-D6,35X950	CABO IONIZACION SIL.F.MC4-D6,35X950	PRZEWÓD JONIZACYJNY SIL.F.MC4-D6,35X950	1
2100	13010051	АРМАТУРА ГАЗ. VG6R/NC160/210G KN/T1 DONANIM. GAZ HATTI VG6R/NC160/210G KN/T1	LINHA DE GAS CPL. VG6R/NC160/210G KN/T1	UKŁAD CIŚN. GAZU VG6R/NC160/210G KN/T1	1
	13010052	АРМАТУРА ГАЗ. VG6R/NC160/210G KL/T2 DONANIM. GAZ HATTI VG6R/NC160/210G KL/T2	LINHA DE GAS CPL. VG6R/NC160/210G KL/T2	UKŁAD CIŚN. GAZU VG6R/NC160/210G KL/T2	1
	13010053	АРМАТУРА ГАЗ. VG6R/NC160/210G KM/T3 DONANIM. GAZ HATTI VG6R/NC160/210G KM/T3	LINHA DE GAS CPL. VG6R/NC160/210G KM/T3	UKŁAD CIŚN. GAZU VG6R/NC160/210G KM/T3	1
2120	13009732	ГАЗОВОЕ КОЛЕНО T1/KN T1/KN GAZ DİRSEĐİ	COTOVELO GÁS T1/KN	KOLANKO GAZ. T1/KN	1
	13009733	ГАЗОВОЕ КОЛЕНО T2/KL T2/KL GAZ DİRSEĐİ	COTOVELO GÁS T2/KL	KOLANKO GAZ. T2/KL	1
	13009734	ГАЗОВОЕ КОЛЕНО T3/KM T3/KM GAZ DİRSEĐİ	COTOVELO GÁS T3/KM	KOLANKO GAZ. T3/KM	1
2125	13009731	УПЛОТН. КОЛЬЦО D.75X4 O'RING D.75X4	O-RING D.75X4	O'RING D.75X4	1
2140	13009760	СОПЛО ГОРЕЛКИ D227/172/190 L343 BRÜLÖR BORUSU D227/172/190 L343	TUBO DO QUEIMADOR D227/172/190 L343	RURA PALNIKA D227/172/190 L343	1
	13009761	СОПЛО ГОРЕЛКИ D227/172/190 L543 BRÜLÖR BORUSU D227/172/190 L543	TUBO DO QUEIMADOR D227/172/190 L543	RURA PALNIKA D227/172/190 L543	1
	13009762	СОПЛО ГОРЕЛКИ D227/172/190 L443 BRÜLÖR BORUSU D227/172/190 L443	TUBO DO QUEIMADOR D227/172/190 L443	RURA PALNIKA D227/172/190 L443	1
	65326670	СОПЛО ГОРЕЛКИ D227/145/205 L343 BRÜLÖR BORUSU D227/145/205 L343	TUBO DO QUEIMADOR D227/145/205 L343	RURA PALNIKA D227/145/205 L343	1
	65326671	СОПЛО ГОРЕЛКИ D227/145/205 L543 BRÜLÖR BORUSU D227/145/205 L543	TUBO DO QUEIMADOR D227/145/205 L543	RURA PALNIKA D227/145/205 L543	1
	65326672	СОПЛО ГОРЕЛКИ D227/145/205 L443 BRÜLÖR BORUSU D227/145/205 L443	TUBO DO QUEIMADOR D227/145/205 L443	RURA PALNIKA D227/145/205 L443	1
2145	13009722	ДАТЧИК ДАВЛЕНИЯ R1/8 R1/8 BASINÇ PRİZİ	TOMADA DE PRESSÃO R1/8	GNIAZDO CIŚNIENIOWE R1/8	1
2146	13009721	ШТУЦЕР, ПРАВЫЙ SAĞ RAKOR	CONEXÃO DIREITA	ZŁĄCZE PRAWIE	1
2150	13009719	УПЛОТНЕНИЕ/ПЕРЕДН ЧАСТЬ КОТЛА 326X335X3 326X335X3 KAZAN CONTASI/ÖN YÜZÜ	JUNTA/FRENTE CALDEIRA 326X335X3	USZCZELKA/ŚCIANA CZOŁ. KOTŁA 326X335X3	1
2170	13009723	КОМПЛ-Т ВИНТ КРЕПЛЕН ТРУБЫ ГОРЕЛКИ (X3) BRÜLÖR TÜPÜ TESBİT VIDASI KİTİ (X3)	KIT PARAFUSO FIX. TUBO QUEIMADOR (X3)	ZESTAW ŚRUB MOCOW. RURA PALNIKA (X3)	1
2600	13009724	КОМПЛЕКТ ПАЛЬЦЕВ AKS KİTİ	KIT EIXOS	ZESTAW OSI	1
2710	13010048	ПРИНАДЛЕЖ. КОМПЛЕКТ, ПРИРОДН. ГАЗ DOĞAL GAZ KİTİ ERİŞİMİ	ACESS. KIT GÁS NATURAL	AKCESORIA ZESTAWU GAZ. NATURALNY	1
2711	13007041	ПРИНАДЛЕЖН. КОМПЛЕКТ ПРОПАН PROPAN KİTİ ERİŞİMİ	ACESS. KIT PROPANO	AKCESORIA KIT PROPAN	1

					
2712	13010046	ЗАТВОР/ДИФУЗОР TAPA/ DIFÜZÖR	OBTURADOR/DIFUSOR	PRZEPUSTNICA/DYFUZOR	1
2714	13010047	ГАЗОВЫЕ ДИФУЗОРЫ В СБОРЕ DONATILMIS GAZ DIFUZORLER	DIFUSORES GAS CPL.	DYSZ GAZU Z WYP.	1
2718	13014075	ДИФУЗОР РОЗЖИГА ATEŞLEME DIFÜZÖRÜ	DIFUSOR IGNIÇÃO	DYFUZOR ZAPALNIKA	1
2785	13009730	ГАЗОВАЯ РАЗВОДКА GAZ YILDIZ	ESTRELLA GAS	ZŁĄCZE GWIAZDOWE	1
3005	13014122	КОЛЛЕКТОР В СБОРЕ RP 1"1/4 RP 1"1/4 MONTAJLI KOLEKTÖR	COLETOR MONTADO RP 1"1/4	KOLEKTOR MONTE RP 1"1/4	1
	13014128	КОЛЛЕКТОР В СБОРЕ RP 2 RP 2 MONTAJLI KOLEKTÖR	COLETOR MONTADO RP 2	KOLEKTOR MONTE RP 2	1
3006	13011367	СТАБИЛИЗАТОР + СТОПОРНОЕ КОЛЬЦО D.60 STABILIZATÖR + CIRCLIPS D.60	ESTABILIZADOR+ANÉIS RETENÇÃO D.60	STABILIZATOR+ CIRCLIPS D.60	1
3007	13009722	ДАТЧИК ДАВЛЕНИЯ R1/8 R1/8 BASINÇ PRIZİ	TOMADA DE PRESSÃO R1/8	GNIAZDO CIŚNIENIOWE R1/8	1
3022	13020682	ШТУЦЕР "БАНДЖО" LCK-G1/8-PK4 "BANJO" RAKOR LCK-G1/8-PK4	CONEXÃO "BANJO" LCK-G1/8-PK4	ZŁĄCZE "BANJO" LCK-G1/8-PK4	1
3040	13007859	ФЛАНЕЦ MB420 RP2 W.PRES.PLUG FLANŞI MB420 RP2 W.PRES.PLUG	FLANGE MB420 RP2 W.PRES.PLUG	KOŁNIERZ MB420 RP2 W.PRES.PLUG	1
	13010085	ФЛАНЕЦ MB410/412 RP1 1/4 FLANŞI MB410/412 RP1 1/4	FLANGE MB410/412 RP1 1/4	KOŁNIERZ MB410/412 RP1 1/4	1
3100	65301036	ГАЗОВЫЙ КЛАПАН MBVEF412 B01 S32 RP1"1/4 GAZ VANASI MBVEF412 B01 S32 RP1"1/4	VÁLVULA GÁS MBVEF412 B01 S32 RP1 1/4	ZAWÓR GAZOWY MBVEF412 B01 S32 RP1"1/4	1
	65301037	ГАЗОВЫЙ КЛАПАН MBVEF420 B01 S32 RP2" GAZ VANASI MBVEF420 B01 S32 RP2"	VALVULA GAS MBVEF420 B01 S32 RP2"	ZAWÓR GAZOWY MBVEF420 B01 S32 RP2"	1
3110	13010078	РЕГУЛ ДАВЛ. ГАЗА. GW 150 A5 30—150MB DIN GW 150 A5 30-150MB DIN GAZ MANOSTATI	PRESSOSTATO GÁS GW 150 A5 30-150MB DIN	CZUJNIK CIŚ. GAZU GW 150 A5 30-150MB DIN	1
3120	65300707	ОБОТКА DUN MBVEF412S12 BOBIN DUN MBVEF412S12	BOBINA DUN MBVEF412S12	CEWKA DUN MBVEF412S12	1
	65300708	ОБОТКА DUN MBVEF420S12 BOBIN DUN MBVEF420S12	BOBINA DUN MBVEF420S12	CEWKA DUN MBVEF420S12	1
3130	65323019	РЕЛЕ ДАВ. ВОЗДУХА GW 50 A5 2,5-50MB GAZ BASINÇ ŞALT. GW 50 A5 2,5-50MB	PRESSOSTATO GAS GW 50 A5 2,5-50MB	CZUJNIK CIŚ. GAZU GW 50 A5 2,5-50MB	1
3140	13007901	ФИЛЬТРУЮЩИЙ ЭЛЕМЕНТ/МВ...420 FILTRELEYİCİ ELEMAN /MB...420	ELEMENTO FILTRANTE /MB...420	ELEMENT FILTRUJĄCY /MB...420	1
	13016012	ФИЛЬТР. ЭЛЕМЕНТ/МВ...410/412 FILTRE ELEMANI /MB...410/412	ELEMENTO FILTRANTE /MB...410/412	ELEMENT FILTRUJĄCY /MB...410/412	1
3150	65300649	ТРУБКА ОТБОРА ДАВЛЕНИЯ ГАЗА MBVEF412 GAZ BASINÇ BORUSU MBVEF412+RAKOR.	TUBO DE PRESSÃO GÁS MBVEF412+CONEXÃO	RURA CIŚNIE. GAZU MBVEF412+ZŁĄCZEM	1
	65300669	ТРУБКА ОТБОРА ДАВЛЕНИЯ ГАЗА MBVEF420 GAZ BASINÇ BORUSU MBVEF420+RAKOR.	TUBO DE PRESSÃO GÁS MBVEF420+CONEXÃO	RURA CIŚNIE. GAZU MBVEF420+ZŁĄCZEM	1
3160	13023188	УГЛОВОЙ ШТУЦЕР DIRSEKLI RAKOR	CONEXÃO COTOVELO	ZŁĄCZKA TYPU KOLANKO	1
3170	13023187	ШТУЦЕР G1/8 + УПЛОТНЕНИЕ RAKOR G1/8 + CONTA	CONEXÃO G1/8+JUNTA	ZŁĄCZE G1/8 + USZCZELKA	1
3200	65300576	КОМПЛЕКТ ПРОКЛАДOK МВ...412 CONTA KİTİ MB...412	KIT JUNTAS MB...412	ZESTAW USZCZELEK MB...412	1
	65300671	КОМПЛЕКТ УПЛОТНЕНИЙ МВ...420 CONTA KİTİ MB...420	KIT JUNTAS MB...420	ZESTAW USZCZELEK MB...420	1
3410	13009700	ГАЗ ФИЛЬТР ВНЕШНИЙ RP2 RP2 HARİCİ GAZ FİLTRESİ	FILTRO GÁS EXTERNO RP2	FILTR GAZU	1
3411	13010044	ФИЛЬТР. ЭЛЕМЕНТ RP2 + УПЛОТНЕНИЕ RP2 FİLTRE ELEMANI + CONTA	ELEMENTO FILT. RP2+O-RING	ELEMENT FILT. RP2+USZCZELKA	1
4005	65301024	КОЛЛЕКТОР В СБОРЕ RP2 MANIFOLD KMPL. RP2	TUBO ABASTECIMENTO DE GÁS CPL. RP2	KOLEKTOR KOMPL. RP2	1
4006	13011367	СТАБИЛИЗАТОР + СТОПОРНОЕ КОЛЬЦО D.60 STABILIZATÖR + CIRCLIPS D.60	ESTABILIZADOR+ANÉIS RETENÇÃO D.60	STABILIZATOR+ CIRCLIPS D.60	1
4007	13009722	ДАТЧИК ДАВЛЕНИЯ R1/8 R1/8 BASINÇ PRIZİ	TOMADA DE PRESSÃO R1/8	GNIAZDO CIŚNIENIOWE R1/8	1
4022	13020682	ШТУЦЕР "БАНДЖО" LCK-G1/8-PK4 "BANJO" RAKOR LCK-G1/8-PK4	CONEXÃO "BANJO" LCK-G1/8-PK4	ZŁĄCZE "BANJO" LCK-G1/8-PK4	1
4030	13020958	СОЕДИНИТЕЛЬНЫЙ КАБЕЛЬ SKP SKP BAĞLANTI KABLOSU	CABO DE CONEXÃO SKP	KABEL ŁĄCZĄCY SKP	1
4040	65300871	ФЛАНЕЦ AGA51 RP2 FLANŞI AGA51 RP2	FLANGE AGA51 RP2	KOŁNIERZ AGA51 RP2	1
4100	65311581	ГАЗОВЫЙ КЛАПАН VGD20 5011 RP2" GAZ VANASI VGD20 5011 RP2"	VALVULA GAS VGD20 5011 RP2"	ZAWÓR GAZOWY VGD20 5011 RP2"	1
4102	13020950	ИСП. МЕХАНИЗМ ГАЗ SKP75.003E2 S.КОНЦЕВОЙ KURS SONSUZ SKP75.003E2 GAZ SERVOMOTORU	ATUADOR GÁS SKP75.003E2 S.FIM CURSO	SIŁOWNIK GAZ. SKP75.003E2 S.WYL.KRAŃCOWY	1
4105	13020951	ИСП. МЕХАНИЗМ ГАЗ SKP15.000E2 S.КОНЦЕВОЙ KURS SONSUZ SKP15.000E2 GAZ SERVOMOTORU	ATUADOR GÁS SKP15.000E2 S.FIM CURSO	SIŁOWNIK GAZ. SKP15.000E2 S.WYL.KRAŃCOWY	1

☞	XXXXXXXX	RU	PT	PL	X
		TR			
4110	13010078	РЕГУЛ ДАВЛ. ГАЗА. GW 150 A5 30—150MB DIN GW 150 A5 30-150MB DIN GAZ MANOSTATI	PRESSOSTATO GÁS GW 150 A5 30-150MB DIN	CZUJNIK CIŚ. GAZU GW 150 A5 30-150MB DIN	1
4130	65323019	РЕЛЕ ДАВ. ВОЗДУХА GW 50 A5 2,5-50MB GAZ BASINÇ ŞALT. GW 50 A5 2,5-50MB	PRESSOSTATO GAS GW 50 A5 2,5-50MB	CZUJNIK CIŚ. GAZU GW 50 A5 2,5-50MB	1
4150	65301075	ТРУБ. ОТБОРА VGD20 RP2 NC95/210-VG5/6 TUPLU GAZ BASI. VGD20 RP2 NC95/210-VG5/6	TB. PRESSÃO GÁS VGD20 RP2 NC95/210-VG5/6	RURA CIŚNIENI VGD20 RP2 NC95/210-VG5/6	1
4160	13023188	УГЛОВОЙ ШТУЦЕР DIRSEKLI RAKOR	CONEXÃO COTOVELO	ZŁĄCZKA TYPU KOLANKO	1
4170	13009721	ШТУЦЕР, ПРАВЫЙ SAĞ RAKOR	CONEXÃO DIREITA	ZŁĄCZE PRAWIE	1
4200	13011733	КОМП-КТ УПЛОТНЕНИЙ VGG,VGF10/VGD20 RP2 VGG,VGF10/VGD20 RP2 CONTA KİTİ	KIT VEDAÇÖES VGG,VGF10/VGD20 RP2	ZESTAW USZCZELEK VGG,VGF10/VGD20 RP2	1
4410	13009700	ГАЗ ФИЛЬТР ВНЕШНИЙ RP2 RP2 HARICI GAZ FİLTRESİ	FILTRO GÁS EXTERNO RP2	FILTR GAZU	1
4411	13010044	ФИЛЬТР. ЭЛЕМЕНТ RP2 + УПЛОТНЕНИЕ RP2 FİLTRE ELEMANI + CONTA	ELEMENTO FILT. RP2+O-RING	ELEMENT FILT. RP2+USZCZELKA	1
4505	65301022	КОЛЛЕКТОР В СБОРЕ DN65 MANIFOLD KMPL. DN65	TUBO ABASTECIMENTO GÁS COMPLETO DN65	KOLEKTOR KOMPL. DN65	1
	65301023	КОЛЛЕКТОР В СБОРЕ DN80 MANIFOLD KMPL. DN80	TUBO ABASTECIMENTO GÁS COMPLETO DN80	KOLEKTOR KOMPL. DN80	1
4506	13011367	СТАБИЛИЗАТОР + СТОПОРНОЕ КОЛЬЦО D.60 STABILIZATÖR + CIRCİLIPS D.60	ESTABILIZADOR+ANÉIS RETENÇÃO D.60	STABILIZATOR+ CIRCİLIPS D.60	1
4507	13009722	ДАТЧИК ДАВЛЕНИЯ R1/8 R1/8 BASINÇ PRİZİ	TOMADA DE PRESSÃO R1/8	GNIAZDO CIŚNIENIOWE R1/8	1
4522	13020682	ШТУЦЕР "БАНДЖО" LCK-G1/8-ПК4 "BANJO" RAKOR LCK-G1/8-ПК4	CONEXÃO "BANJO" LCK-G1/8-ПК4	ZŁĄCZE "BANJO" LCK-G1/8-ПК4	1
4530	13020958	СОЕДИНИТЕЛЬНЫЙ КАБЕЛЬ SKP SKP BAĞLANTI KABLOSU	CABO DE CONEXÃO SKP	KABEL ŁĄCZĄCY SKP	1
4600	65311583	ГАЗОВЫЙ КЛАПАН VGD40 080 DN80 GAZ VANASI VGD40 080 DN80	VALVULA GAS VGD40 080 DN80	ZAWÓR GAZOWY VGD40 080 DN80	1
	65323661	ГАЗОВЫЙ КЛАПАН VGD40 065 DN65 GAZ VANASI VGD40 065 DN65	VÁLVULA GÁS VGD40 065 DN65	ZAWÓR GAZOWY VGD40 065 DN65	1
4602	13020950	ИСП. МЕХАНИЗМ ГАЗ SKP75.003E2 S.КОНЦЕВОЙ KURS SONSUZ SKP75.003E2 GAZ SERVOMÖTORU	ATUADOR GÁS SKP75.003E2 S.FIM CURSO	SIŁOWNIK GAZ. SKP75.003E2 S.WYL.KRAŃCOWY	1
4605	13020951	ИСП. МЕХАНИЗМ ГАЗ SKP15.000E2 S.КОНЦЕВОЙ KURS SONSUZ SKP15.000E2 GAZ SERVOMÖTORU	ATUADOR GÁS SKP15.000E2 S.FIM CURSO	SIŁOWNIK GAZ. SKP15.000E2 S.WYL.KRAŃCOWY	1
4610	13010078	РЕГУЛ ДАВЛ. ГАЗА. GW 150 A5 30—150MB DIN GW 150 A5 30-150MB DIN GAZ MANOSTATI	PRESSOSTATO GÁS GW 150 A5 30-150MB DIN	CZUJNIK CIŚ. GAZU GW 150 A5 30-150MB DIN	1
4630	65323019	РЕЛЕ ДАВ. ВОЗДУХА GW 50 A5 2,5-50MB GAZ BASINÇ ŞALT. GW 50 A5 2,5-50MB	PRESSOSTATO GAS GW 50 A5 2,5-50MB	CZUJNIK CIŚ. GAZU GW 50 A5 2,5-50MB	1
4650	65301025	ТРУБ. ОТБОРА VGD40 DN65 NC95/210-VG5/6 RAKOR.GAZ BASINÇ BO. DN65 NC95/210-VG5/6	TB. PR.GÁS CPL.VGD40 DN65 NC95/210-VG5/6	RURA CIŚNIENI VGD40 DN65 NC95/210-VG5/6	1
	65301026	ТРУБ. ОТБОРА VGD40 DN80 NC210-VG6 RAKOR.GAZ BASINÇ BO.VGD40 DN80 NC210-VG6	TUBO PRESS.GAS VGD40 DN80 NC210-VG6	RURA CIŚNIENI VGD40 DN80 NC210-VG6	1
4660	13023188	УГЛОВОЙ ШТУЦЕР DIRSEKLI RAKOR	CONEXÃO COTOVELO	ZŁĄCZKA TYPU KOLANKO	1
4670	13009721	ШТУЦЕР, ПРАВЫЙ SAĞ RAKOR	CONEXÃO DIREITA	ZŁĄCZE PRAWIE	1
4700	13013781	КОМПЛЕКТ УПЛОТНЕНИЙ VGD40 DN65 VGD40 DN65 CONTA KİTİ	KIT VEDAÇÖES VGD40 DN65	ZESTAW USZCZELEK VGD40 DN65	1
	13013782	КОМПЛЕКТ УПЛОТНЕНИЙ VGD40 DN80 VGD40 DN80 CONTA KİTİ	KIT JUNTAS VGD40 DN80	ZESTAW USZCZELEK VGD40 DN80	1
4910	13009703	ГАЗ ФИЛЬТР ВНЕШНИЙ DN65 DN65 HARICI GAZ FİLTRESİ	FILTRO GÁS EXTERNO DN65	FILTR ZEWNĘTRZNY DN 65	1
	13013787	ГАЗ. ФИЛЬТР DN80 DN80 GAZ FİLTRESİ	FILTRO GÁS DN80	FILTR GAZ. DN80	1
4911	13009704	ГАЗ. ФИЛЬТРУЮЩИЙ ЭЛЕМЕНТ DN65 С УПЛОТН. CONTALI DN65 GAZ FİLTRE ELEMANI	ELEMENTO FILTRANTE GÁS DN65 COM O-RING	ELEMENT FILTRUJĄCY GAZ. DN65 Z USZCZELKA	1
	13013788	ГАЗ. ФИЛЬТРУЮЩИЙ ЭЛЕМЕНТ DN80 С УПЛОТН. CONTA İLE DN80 GAZ FİLTRE EDİCİ ELEMAN	ELEMENTO FILTRANTE GÁS DN80 COM JUNTA	ELEMENT FILTRUJĄCY GAZ. DN80 Z USZCZELKA	1

